

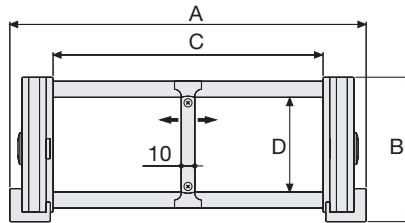
# Serie Sliding

# SR319B

## Nylon Sliding Cable Chain with un-screwable aluminium rods

### Inner height (D) 70 mm

Strong double share Sideband & Frame construction with large anti-friction triple-pin. The chain incorporates large sliding-skid surfaces to offer durability, even with high speed/loads. The Alu-rod frames are un-screwable from inner and outer radius. As standard the chain comes with frames every second link, on request with frames every link. Separator systems are available.



### Separator

- Unassembled	Part.no S309C
- Assembled	Part.no S309CMC

### Pin

Part.no PG319

### Technical characteristics

Speed	4 m/s
Acceleration	13 m/s <sup>2</sup>

For higher requirements please consult our technical dept.

A	B	C	D	R	Weight/m	Chain
mm	mm	mm	mm	mm	kg	Part Number
164	107	100	70	200-250-300-350-400-500	4,25	SR319PSB100 □*
214	107	150	70	200-250-300-350-400-500	4,45	SR319PSB150 □*
264	107	200	70	200-250-300-350-400-500	4,60	SR319PSB200 □*
314	107	250	70	200-250-300-350-400-500	4,75	SR319PSB250 □*
364	107	300	70	200-250-300-350-400-500	4,90	SR319PSB300 □*
464	107	400	70	200-250-300-350-400-500	5,25	SR319PSB400 □*
C+64	107	.....	70	200-250-300-350-400-500		SR319PSB □□□ □**

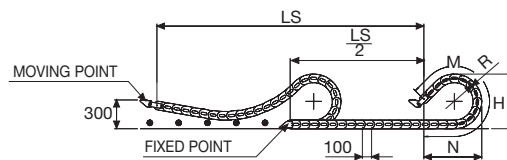
\*Complete the code by inserting the value of the radius (R): Ex. SR319PSB150 □

Where: 2=200; 3=250; 4=300; 5=350; 6=400; 7=500

\*\*Complete the code by inserting the value of the quote C and the radius (R): Ex. SR319PSB □ □ □ □ □

Chain equipped with aluminium rods every pitch: complete the code by inserting the letter D.

Ex. SR319PSB1502 □



R	H	N	M
mm	mm	mm	mm
200	507	595	1345
250	607	765	1780
300	707	940	2220
350	807	1110	2655
400	907	1280	3095
500	1107	1625	3970

Length of chain (L)

Half travel distance ( $\frac{LS}{2}$ )

plus length of curve (M)

$$L = \frac{LS}{2} + M$$



### End Brackets

The end brackets set allows the two ends of the chain to be attached to the equipment. One set comprises two movable end brackets to install at the moving point and two standard steel end brackets to install at the fixed point.

**Bright Zinc Plated Steel Movable Type\* (moving point)**      **Bright Zinc Plated Steel Type\* (fixed point)**

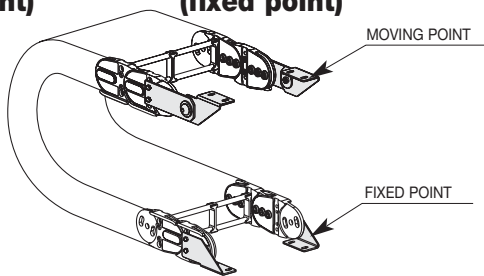
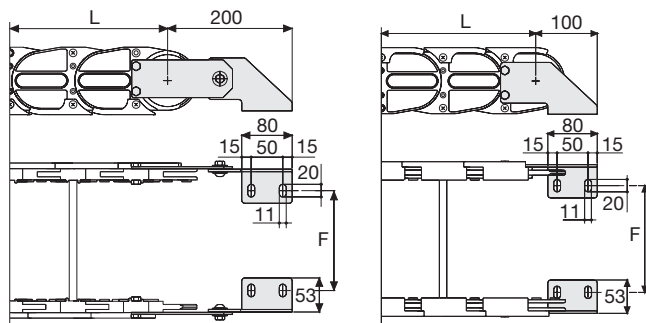


Fig. A  
Chain fixed outside the radius. (Fig A)



Chain Type	F mm
SR319PSB100	76
SR319PSB150	126
SR319PSB200	176
SR319PSB250	226
SR319PSB300	276
SR319PSB400	376
Special dimension F=A-88	

### Bright Zinc Plated Steel Type Part Numbers

Complete Set Assembled	
Chain	End Brackets
Type	Set
SR319PSB...	A319KM

Complete Set Unassembled	
Chain	End Brackets
Type	Set
SR319PSB...	A319K

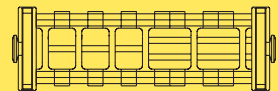
\*Available on request in stainless steel

### Serie Sliding

## SR319B

**Nylon Sliding Cable Chain with un-screwable aluminium rods**

3



Supplementary movable separators.

### Version with aluminium draw plates



On request available with aluminium draw plates

Example Part Number:  
SR319T□□□\*□□□\*\*

\* Inner width (C)  
\*\* Bending radius (R)

For further information please consult Brevetti Stendalto's Technical Office